

# Spot LED II



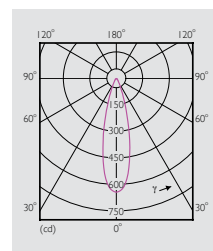
Spot LED II is an innovative and stylish family of projectors and downlights featuring LED technology that emits no UV/IR radiation. It offers incredible energy and maintenance savings in hospitality applications and adds sparkle to museum and retail environments. The increased light output allows applications with distances from one to two metres between spot and object for accent lighting.

It is available in warm white and cool white versions, and with a choice of narrow or medium beams. Spot LED II is up to 45% more energy-efficient than low-voltage standard halogen solutions and up to 65% more energy-efficient than mains-voltage halogen solutions with comparable light output. Dimmable versions are also available.

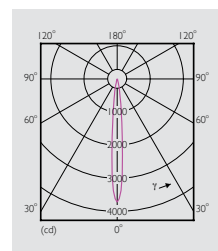
# Spot LED II

<b>Type</b>	<p>Surface mounted with integrated transformer: BCG441, 3 × LED, square BCG442, 6 × LED, square</p> <p>With remote transformer: BCG440, 3 × LED, round</p> <p>Recessed mounted with remote transformer:</p> <p>Semi-recessed adjustable: BBG440, 3 × LED, round BBG441, 3 × LED, square BBG442, 6 × LED, rectangular</p> <p>Recessed fixed: BBG450, 3 × LED, round BBG451, 3 × LED, square</p>
<b>Features</b>	<p>Sparkling and sustainable</p> <ul style="list-style-type: none"> <li>- Spot LED II offers incredible energy and maintenance savings in hospitality applications and adds sparkle to retail environments. It is up to 45% more energy efficient than low-voltage standard halogen solutions and up to 65% more energy efficient than mains-voltage halogen solutions with comparable light intensity.</li> </ul> <p>A complete range</p> <ul style="list-style-type: none"> <li>- Spot LED II is available in warm white and cool white</li> <li>- Spot LED II is available in both surface-mounted and semi-recessed versions. Spot LED II dimmable version is also available.</li> </ul> <p>No UV/IR radiation</p> <ul style="list-style-type: none"> <li>- Ideal for lighting colour sensitive objects such as books, watches and fabrics</li> </ul> <p>Maintenance-free</p> <ul style="list-style-type: none"> <li>- Easy to install. Long lifetime of 50,000 hours (at 70% lumen maintenance)</li> </ul>
<b>Light source</b>	3 × LUXEON® K2 or 6 × LUXEON® K2
<b>Light colour</b>	Cool white (6000K), Warm white (3150K/3375K)
<b>Beam angle</b>	Narrow beam 10° Medium beam 25°
<b>Power supply</b>	220-240 V AC / 50 - 60Hz (integrated driver or separate driver included)
<b>Power consumption</b>	12W for 3 × LED version 24W for 6 × LED version
<b>Colour rendering index (Ra)</b>	CW: 70 WW: 80
<b>Installation</b>	Surface mounted, track mounted, semi-recessed adjustable & recessed fixed
<b>Material</b>	Housing: Brushed aluminium and polycarbonate Optic: Polycarbonate Base plate: Brushed aluminium and polycarbonate
<b>Control interface</b>	Switch & Dimming
<b>Ambient temperature</b>	25°C
<b>Lifetime</b>	50,000 hours, 70% lumen maintenance at Ta=25°C
<b>Classifications</b>	IP20 Class II
<b>Main application</b>	Hotels, restaurants, retail, museums

BCG440 MB 3 × LXX2 WW

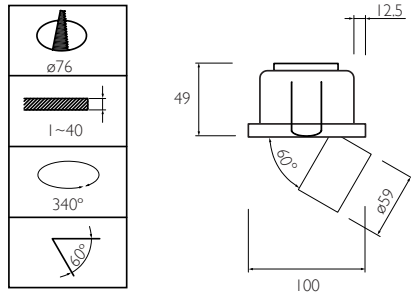


BCG440 NB 3 × LXX2 WW

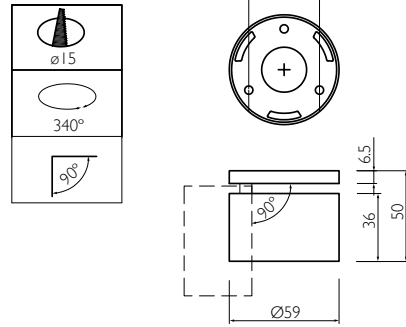


# Spot LED II

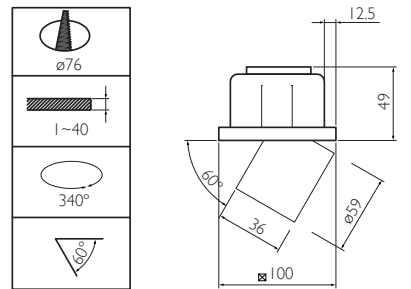
**BBG440**



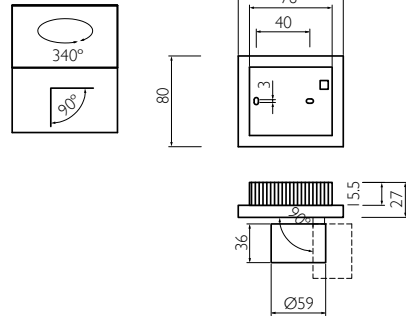
**BCG440**



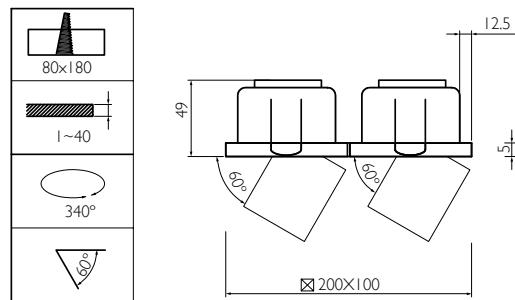
**BBG441**



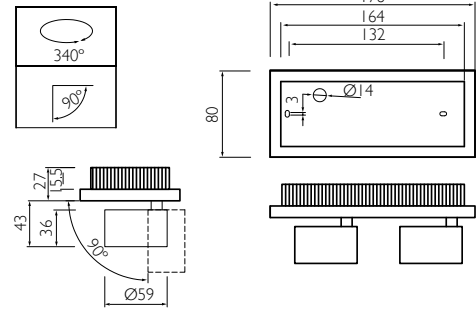
**BCG441**



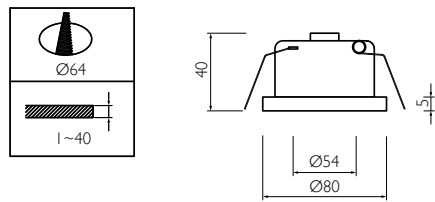
**BBG442**



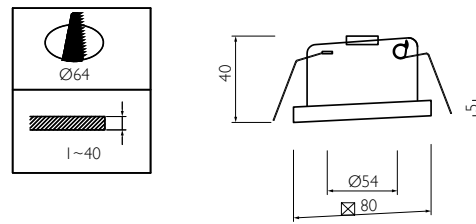
**BCG442**



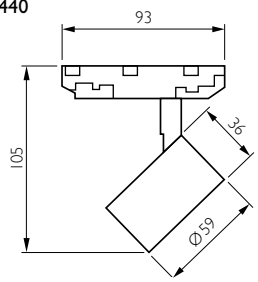
**BBG450**



**BBG451**



**BRG440**



Dimensions in mm

# Spot LED II



BCG440

**Preferred selection**

Product ID	Weight (kg)
BCG440 3xLED-K2-10-/WWW PSU-E 220-240V	0.18
BCG440 3xLED-K2-25-/WWW PSU-E 220-240V	0.18

*Please contact your local Philips representative for additional information*



BCG441

**Preferred selection**

Product ID	Weight (kg)
BCG441 3xLED-K2-10-/WWW PSU 220-240V CLII	0.30
BCG441 3xLED-K2-25-/WWW PSU 220-240V CLII	0.30

*Please contact your local Philips representative for additional information*



BCG442

**Preferred selection**

Product ID	Weight (kg)
BCG442 6xLED-K2-10-/WWW PSU 220-240V CLII	0.59
BCG442 6xLED-K2-25-/WWW PSU 220-240V CLII	0.59

*Please contact your local Philips representative for additional information*



BBG440

**Preferred selection**

Product ID	Weight (kg)
BBG440 3xLED-K2-10-/WWW PSU-E 220-240V	0.29
BBG440 3xLED-K2-25-/WWW PSU-E 220-240V	0.29

*Please contact your local Philips representative for additional information*

# Spot LED II



BBG441

### Preferred selection

Product ID	Weight (kg)
BBG441 3xLED-K2-10-/WWW PSU-E 220-240V	0.32
BBG441 3xLED-K2-25-/WWW PSU-E 220-240V	0.32

Please contact your local Philips representative for additional information



BBG442

### Preferred selection

Product ID	Weight (kg)
BBG442 6xLED-K2-10-/WWW PSU-E 220-240V	0.59
BBG442 6xLED-K2-25-/WWW PSU-E 220-240V	0.64

Please contact your local Philips representative for additional information



BBG450

### Preferred selection

Product ID	Weight (kg)
BBG450 3xLED-K2-10-/WWW PSU-E 220-240V	0.21
BBG450 3xLED-K2-25-/WWW PSU-E 220-240V	0.21

Please contact your local Philips representative for additional information



BBG451

### Preferred selection

Product ID	Weight (kg)
BBG451 3xLED-K2-10-/WWW PSU-E 220-240V	0.23
BBG451 3xLED-K2-25-/WWW PSU-E 220-240V	0.23

Please contact your local Philips representative for additional information