

Magneos



This family of projectors represents an outstanding lighting tool for shops, packing advanced Philips technology into a compact, contemporary design.

The Magneos projector family offers a choice of lamps or LED light sources as well as a variety of optics, accessories and colour finishes. Magneos enables retailers to configure their own solution. All HID versions include Philips energy-saving electronic gear to optimise lamp life and lower energy consumption. The extensive range offers subtle, Mini versions for applications with low ceiling heights, and Compact versions offering a strong presence for powerful spotlighting from higher ceilings.

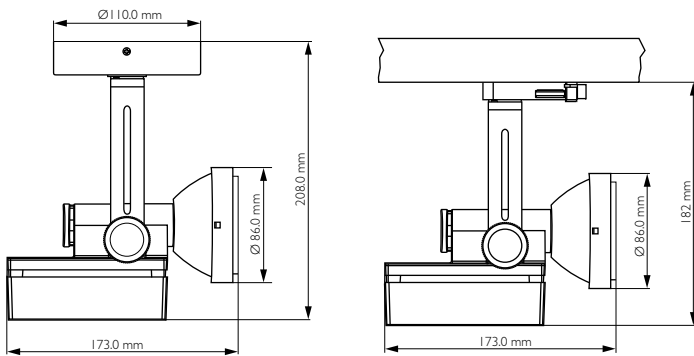
Magneos LED

Type	<p>Mono: BCG470 7xLED-REB-12/WW BA WH BCG470 7xLED-REB-24/WW BA WH BCG470 7xLED-REB-12/NW BA WH BCG470 7xLED-REB-24/NW BA WH BRG470 7xLED-REB-12/WW 3C WH BRG470 7xLED-REB-24/WW 3C WH BRG470 7xLED-REB-12/NW 3C WH BRG470 7xLED-REB-24/NW 3C WH</p> <p>Dimming: BCG470 7xLED-REB-12/NW DMX BA WH BCG470 7xLED-REB-12/WW DMX BA WH BCG470 7xLED-REB-12/WW DMX BA WH BCG470 7xLED-REB-24/NW DMX BA WH</p> <p>RGB: BCG470 7xLED-REB-24/RGB BA WH BCG470 7xLED-REB-12/RGB BA WH</p>
Features	<p>Providing even more flexibility</p> <ul style="list-style-type: none"> - Its compact design makes it easy to integrate into any architectural environment - Available in both track and surface mounted version - Choice of dimmable and RGB versions to suit your lighting needs <p>Higher performance</p> <ul style="list-style-type: none"> - With the new advanced 7 Luxeon® Rebel inside, it delivers consistent colour output - Its professional optic design provides high light uniformity even at narrow beams <p>Energy saving</p> <ul style="list-style-type: none"> - Consumes less than 20W while delivering light performance higher than 50W halogen lamps— resulting in more than 60% energy saving - Tailor-made advanced driver reaching a high power factor of 0.95 contributes to a high system efficiency
Light source	<p>Mono and dimming: Neutral white: 7 x Luxeon® Rebel Warm white: 7 x Luxeon® Rebel</p> <p>RGB: 7 x Luxeon® Rebel (2 Red, 3 Green, 2 Blue)</p>
Light colour	<p>Neutral white: 4000K Warm white: 3000K RGB</p>
Beam angle	<p>Narrow beam 12°; Medium beam 24°</p>
Luminous flux	<p>Warm white: 372lm (12°) 348lm (24°)</p> <p>Neutral white: 660lm (12°) 630lm (24°)</p> <p>RGB: 270lm at full output (12°) 282lm at full output (24°)</p>
Power supply	<p>100-240V AC / 50-60Hz</p>
Power consumption	<p>Mono: 18W Dimming: Max. 20W RGB: Max. 20W</p>



Magneos LED

System efficacy	Warm white: 21lm/W (12°) 19lm/W (24°) Neutral white: 37lm/W (12°) 35lm/W (24°) RGB: 13.5lm/W(12°) 14.1lm/W(24°)
Colour rendering index (Ra)	Neutral white: 75 Warm white: 80
Installation	BRG470: Track mounted BCG470: Surface mounted
Material	Housing: Die-cast aluminium; Optics: Polycarbonate
Control interface	Mono: Switches Dimming: DMX512 RGB: DMX512
Ambient temperature	-20°C to 35°C
Classifications	IP20 Class I
Power factor	0.95
Lifetime	40,000 hours, 70% lumen maintenance at Ta=25°C
Main applications	Retail, hospitality

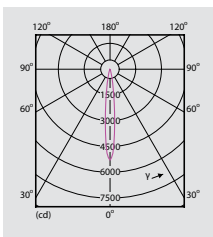


BCG470

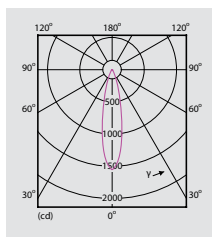
BRG470



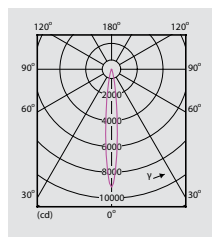
BCG470 I × LED 12D 3000K



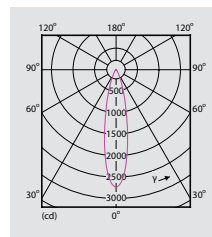
BCG470 I × LED 24D 3000K



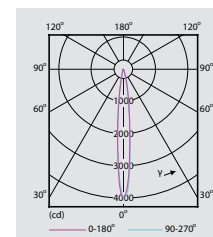
BCG470 I × LED 12D MONO 4000K



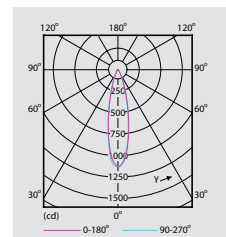
BCG470 I × LED 24D MONO 4000K



BCG470 I × LED / 2R3G2B 12D

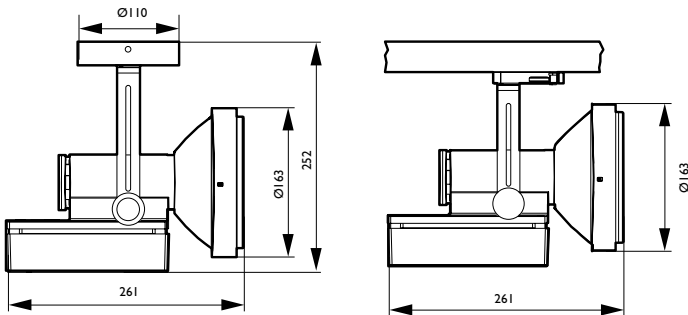


BCG470 I × LED / 2R3G2B 24D



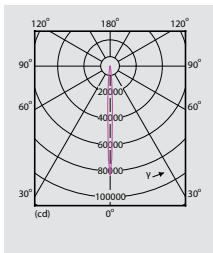
Magneos Compact

Type	MCS501 (baseplate version) MRS501 (3-circuit track version)
Features	- Versatile lighting with a choice of lamps, optics and accessories - Contemporary design: Magneos Compact projector comes with optimised dimensions for various lamp types - Designed with high quality materials for excellent light effects
Light source	High intensity discharge: 1 x MASTERColour CDM-T / 70, 150W
Lamp included	No
Orientation	Horizontal 355°; Vertical 90°
Gear	Electronic, 220 - 240V / 50-60Hz: Electronic ballast (EB)
Materials and finish	Materials: die-casted aluminium housing, aluminium reflector Colour: white (WH)
Installation	Direct on ceiling baseplate with connection point (BA) On 3-circuit track (3C)
Maintenance	Remove front cover for lamp replacement
Optic	Narrow beam (12°) Medium beam (24° and 36°)
Accessory	Protection glass, sculptural lens, colour filters, barn doors, meat filters, glare control glass, champagne optics
Classifications	IP 20 Class I
Main applications	Departmental stores, chain stores, high-end hypermarkets/supermarkets, car showrooms

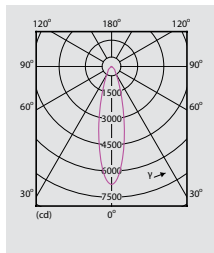


Dimensions in mm

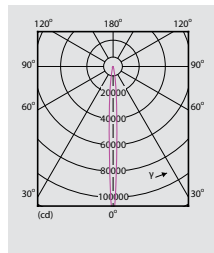
MRS501 1 x CDM-T35W 12°



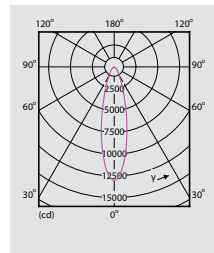
MRS501 1 x CDM-T35W 24°



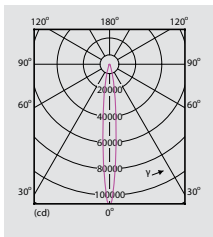
MRS501 1 x CDM-T70W 12°



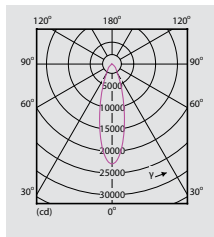
MRS501 1 x CDM-T70W 24°



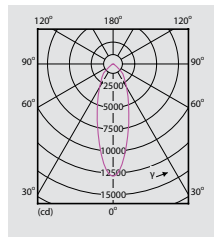
MRS501 CDM-T150W
1 x CDM-T150W 12°



MRS501 CDM-T150W
1 x CDM-T150W 24°



MRS501 CDM-T150W
1 x CDM-T150W 36°



Magneos Compact



Magneos Compact MCS501 projector for baseplate mounting, with MASTERColour lamp and narrow or medium-beam optic

Preferred selection

Product ID	Weight (kg)
MCS501 1xCDM-T70W EB 12 BA WH	1.90
MCS501 1xCDM-T70W EB 24 BA WH	1.90
MCS501 1xCDM-T70W EB 36 BA WH	1.90
MCS501 1xCDM-T150W EB 12 BA WH	2.20
MCS501 1xCDM-T150W EB 24 BA WH	2.20
MCS501 1xCDM-T150W EB 36 BA WH	2.20

Please contact your local Philips representative for additional information



Magneos Compact MRS501 projector for track mounting, with MASTERColour lamp and narrow or medium-beam optic

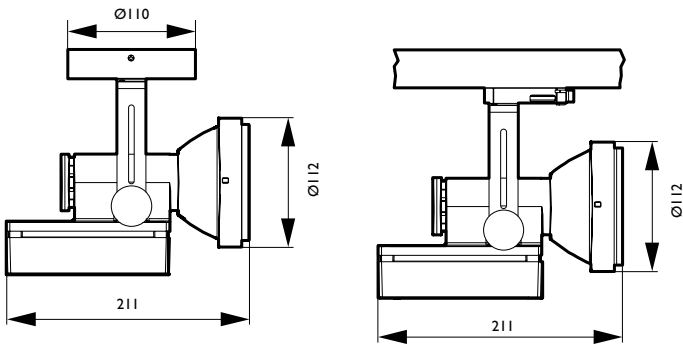
Preferred selection

Product ID	Weight (kg)
MRS501 1xCDM-T35W EB 36 3C WH	1.80
MRS501 1xCDM-T70W EB 12 3C WH	1.80
MRS501 1xCDM-T70W EB 24 3C WH	1.80
MRS501 1xCDM-T70W EB 36 3C WH	1.80
MRS501 1xCDM-T150W EB 12 3C WH	2.10
MRS501 1xCDM-T150W EB 24 3C WH	2.10
MRS501 1xCDM-T150W EB 36 3C WH	2.10

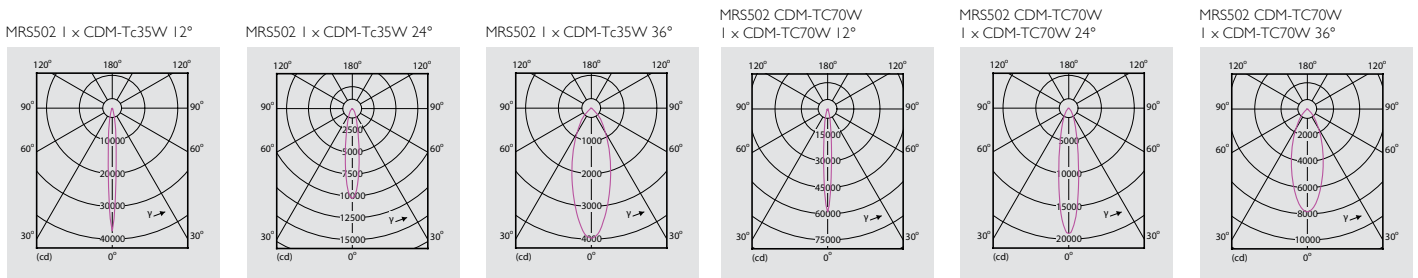
Please contact your local Philips representative for additional information

Magneos Mini

Type	MCS502 (baseplate, HID lamp version) MRS502 (3-circuit track, HID lamp version)
Features	- Versatile lighting with a choice of lamps, optics and accessories - Magneos Mini's compact design also suits lower ceiling heights - Designed with high quality materials for excellent light effects
Light source	High intensity discharge: 1 x MASTERColour CDM-TC / 35, 70W
Lamp included	No
Orientation	Horizontal 355°; Vertical 90°
Gear	Electronic, 220 - 240V / 50-60Hz; Electronic ballast (EB)
Materials and finish	Materials: die-casted aluminium housing, aluminium reflector Colour: white (WH)
Installation	Direct on ceiling baseplate with connection point (BA) On 3-circuit track (3C)
Maintenance	Remove front cover for lamp replacement
Optic	Narrow beam (12°) Medium beam (24° and 36°)
Accessory	Protection glass, sculptural lens, colour filters, barn doors, meat filters, glare control glass, champagne optics
Classifications	IP 20 Class I
Main applications	Departmental stores, chain stores, high-end hypermarkets/supermarkets, car showrooms



Dimensions in mm





Magneos Mini MCS502 projector for baseplate mounting, with MASTERColour lamp and narrow or medium-beam optic

Preferred selection

Product ID	Weight (kg)
MCS502 1xCDM-TC35W EB 12 BA WH	1.40
MCS502 1xCDM-TC35W EB 24 BA WH	1.40
MCS502 1xCDM-TC35W EB 36 BA WH	1.40
MCS502 1xCDM-TC70W EB 12 BA WH	1.40
MCS502 1xCDM-TC70W EB 24 BA WH	1.40
MCS502 1xCDM-TC70W EB 36 BA WH	1.40

Please contact your local Philips representative for additional information



Magneos Mini MRS502 projector for track mounting, with MASTERColour lamp and narrow or medium-beam optic

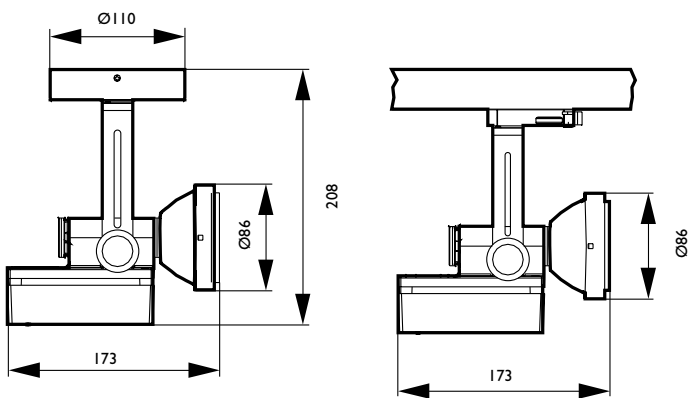
Preferred selection

Product ID	Weight (kg)
MRS502 1xCDM-TC35W EB 12 3C WH	1.30
MRS502 1xCDM-TC35W EB 24 3C WH	1.30
MRS502 1xCDM-TC35W EB 36 3C WH	1.30
MRS502 1xCDM-TC70W EB 12 3C WH	1.30
MRS502 1xCDM-TC70W EB 24 3C WH	1.30
MRS502 1xCDM-TC70W EB 36 3C WH	1.30

Please contact your local Philips representative for additional information

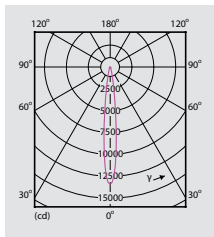
Magneos Micro

Type	MCS503 (baseplate, HID lamp version) MRS503 (3-circuit track, HID lamp version)
Features	- Versatile lighting with a choice of lamps, optics and accessories - Magneos Micro's compact design also suits lower ceiling heights - Designed with high quality materials for excellent light effects
Light source	High intensity discharge: 1 x MASTERColour CDM-Tm Mini / 20, 35W
Lamp included	No
Orientation	Horizontal 355°; Vertical 90°
Gear	Electronic, 220 - 240V / 50-60Hz; Electronic ballast (EB)
Materials and finish	Materials: die-casted aluminium housing, aluminium reflector Colour: white (WH)
Installation	Direct on ceiling baseplate with connection point (BA) On 3-circuit track (3C)
Maintenance	Remove front cover for lamp replacement
Optic	Narrow beam (12°) Medium beam (24° and 36°)
Classifications	IP 20 Class I
Main applications	Departmental stores, chain stores, high-end hypermarkets/supermarkets, car showrooms

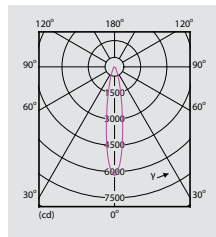


Dimensions in mm

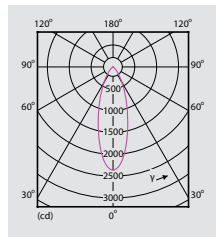
MRS503 CDM-Tm20W
1 x CDM-Tm20W 12°



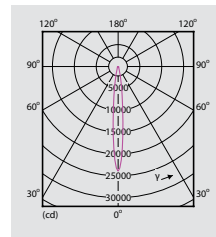
MRS503 CDM-Tm20W
1 x CDM-Tm20W 24°



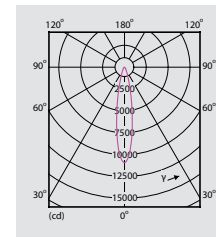
MRS503 CDM-Tm20W
1 x CDM-Tm20W 36°



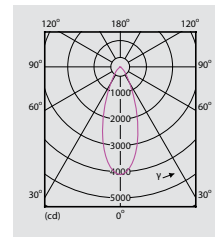
MR5503 1 x CDM-Tm35W 12°



MRS503 1 x CDM-Tm35W 24°



MRS503 1 x CDM-Tm35W 36°



Magneos Micro



Magneos Micro MRS503 projector for track mounting, with MASTERColour lamp and narrow or medium-beam optic

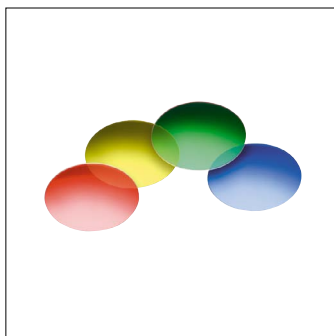
Preferred selection

Product ID	Weight (kg)
MCS503 1xCDM-Tm20W EB 12 BA WH	0.80
MCS503 1xCDM-Tm20W EB 24 BA WH	0.80
MCS503 1xCDM-Tm20W EB 36 BA WH	0.80
MCS503 1xCDM-Tm35W EB 12 BA WH	0.90
MCS503 1xCDM-Tm35W EB 24 BA WH	0.90
MCS503 1xCDM-Tm35W EB 36 BA WH	0.90
MRS503 1xCDM-Tm20W EB 12 3C WH	0.70
MRS503 1xCDM-Tm20W EB 24 3C WH	0.70
MRS503 1xCDM-Tm20W EB 36 3C WH	0.70
MRS503 1xCDM-Tm35W EB 12 3C WH	0.80
MRS503 1xCDM-Tm35W EB 24 3C WH	0.80
MRS503 1xCDM-Tm35W EB 36 3C WH	0.80

Please contact your local Philips representative for additional information

Magneos Accessories

Type	ZRS501 (for Magneos Compact 501 series) ZRS502 (for Magneos Mini 502 series)
Description	Barn door, dichroic colour filters, anti-glare filters
Colour	Filters: blue (BL), green (GN), red (RD), yellow (YE) Barn door: black (BK), grey (GR), white (WH)



Dichroic colour filters to colour the beam in blue (BL), green (GN), red (RD) or yellow (YE)

Preferred selection

Product ID

- ZRS501 DF-BL DICHROIC BLUE FILTER
- ZRS501 DFF-RD D145 DICHROIC FOOD FILTER
- ZRS501 DF-GN DICHROIC GREEN FILTER
- ZRS501 DF-MT DICHROIC MEAT FILTER
- ZRS501 DF-RD DICHROIC RED FILTER
- ZRS501 DF-YE DICHROIC YELLOW FILTER
- ZRS502 DF-BL DICHROIC BLUE FILTER
- ZRS502 DFF-RD D89 DICHROIC FOOD FILTER
- ZRS502 DF-GN DICHROIC GREEN FILTER
- ZRS502 DF-MT DICHROIC MEAT FILTER
- ZRS502 DF-RD DICHROIC RED FILTER
- ZRS502 DF-YE DICHROIC YELLOW FILTER

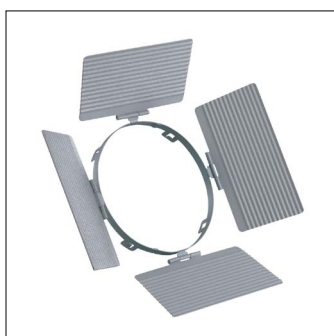


Glare control glass

Preferred selection

Product ID

- ZRS501 GCG ANTI-GLARE FILTER
- ZRS502 GCG ANTI-GLARE FILTER



Barn door shutters in black (BK), grey (GR) or white (WH) to match with the luminaire

Preferred selection

Product ID

- ZRS501 BD-BK BARN DOORS BLACK
- ZRS501 BD-GR BARN DOORS GREY
- ZRS501 BD-WH BARN DOORS WHITE
- ZRS502 BD-BK BARN DOORS BLACK
- ZRS502 BD-GR BARN DOORS GREY
- ZRS502 BD-WH BARN DOORS WHITE