

Fiorenza

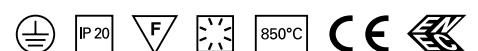
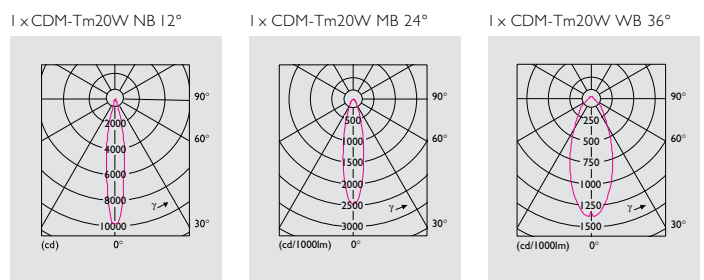
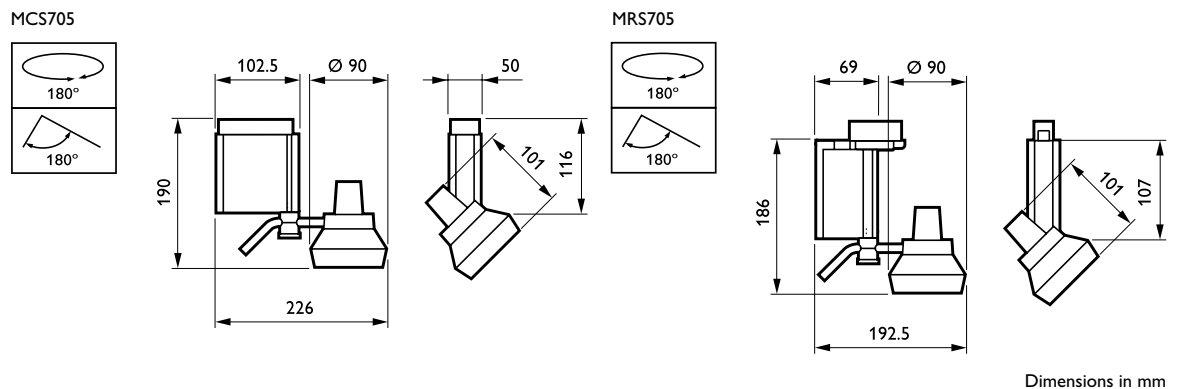


Fiorenza is a range of stylish, adjustable projectors with electronic gear and a choice of aluminium reflectors (12°, 24° and 36°). The Fiorenza spotlights have been designed for use with MASTERCcolour CDM-TM, MASTERCcolour CDM-TC, MASTERCcolour CDM-T, MASTERCcolour CDM-R1 | 1, MASTERCcolour CDM-R30, MASTER SDW-TG, MASTERLine TC lamps, helping to create an attractive ambience for instance in retail outlets or lobbies.

The Fiorenza family comprises several different models, including Micro and Twin versions. A range of accessories is available, enabling architects and lighting designers to add that special final touch to their creative solutions.

Fiorenza Micro

Type	MCS705 (baseplate version) MRS705 (3-circuit track version)
Features	<ul style="list-style-type: none"> - Advanced electronic gear: Miniaturised design for architectural integration - Constant high quality lighting effect & flicking-free - Energy saving - Separate gear box and lamp housing design: provide exceptional freedom in terms of architectural integration and interior design - Universal rotation system: position can be adjusted in two planes, making it perfect means of setting a scene - State-of-the-art lamp technology with professional optics: delivers powerful and appealing lighting effects
Light source	High intensity discharge: 1 x MASTERColour CDM-Tm Mini / 20W
Lamp included	Yes (K, lamp colour 830)
Lamp position	Vertical
Gear	Electronic, 220 - 240V / 50 - 60Hz: Electronic (EB)
Materials and finish	Die-casting aluminium housing & anodised aluminium reflector
Colour	Grey (GR), White (WH) RAL colours available on request
Installation	Mounting: direct on ceiling with base plate (BA) or direct on 3 universal 3-circuit track Euro-DIN tracks (3C) with universal adaptor Safety distance: 0.5m
Maintenance	Direct lamp access while removing front glass for CDM-T lamp
Optic	Narrow beam (12°) Medium beam (24° and 36°)
Accessory	Barn door, honeycomb, dichroic colour filters, sculptural glass, antiglare filter, UV filter and protection glass Colour filters: red, blue, yellow and green
Classifications	IP 20, Class I
Main applications	Retail, museums



Fiorenza Micro



Fiorenza Micro MRS/MCS705 projector for track and baseplate mounting, with MASTERColour lamp and narrow-beam optic

Preferred selection

Product ID	Weight (kg)
MCS705 1xCDM-Tm20W/830 K EB 12 BA GR	1.10
MRS705 1xCDM-Tm20W/830 K EB 12 3C GR	0.90

Please contact your local Philips representative for additional information



Fiorenza Micro MRS/MCS705 projector for track and baseplate mounting, with MASTERColour lamp and narrow-beam optic

Preferred selection

Product ID	Weight (kg)
MCS705 1xCDM-Tm20W/830 K EB 12 BA WH	1.10
MRS705 1xCDM-Tm20W/830 K EB 12 3C WH	0.90

Please contact your local Philips representative for additional information



Fiorenza Micro MRS/MCS705 projector for track and baseplate mounting, with MASTERColour lamp and medium-beam optic

Preferred selection

Product ID	Weight (kg)
MCS705 1xCDM-Tm20W/830 K EB 24 BA GR	1.10
MCS705 1xCDM-Tm20W/830 K EB 36 BA GR	1.10
MRS705 1xCDM-Tm20W/830 K EB 24 3C GR	0.90
MRS705 1xCDM-Tm20W/830 K EB 36 3C GR	0.90

Please contact your local Philips representative for additional information



Fiorenza Micro MRS/MCS705 projector for track and baseplate mounting, with MASTERColour lamp and medium-beam optic

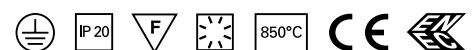
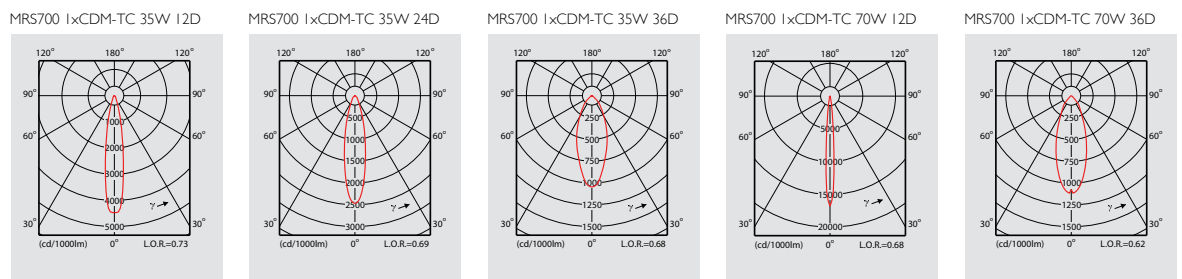
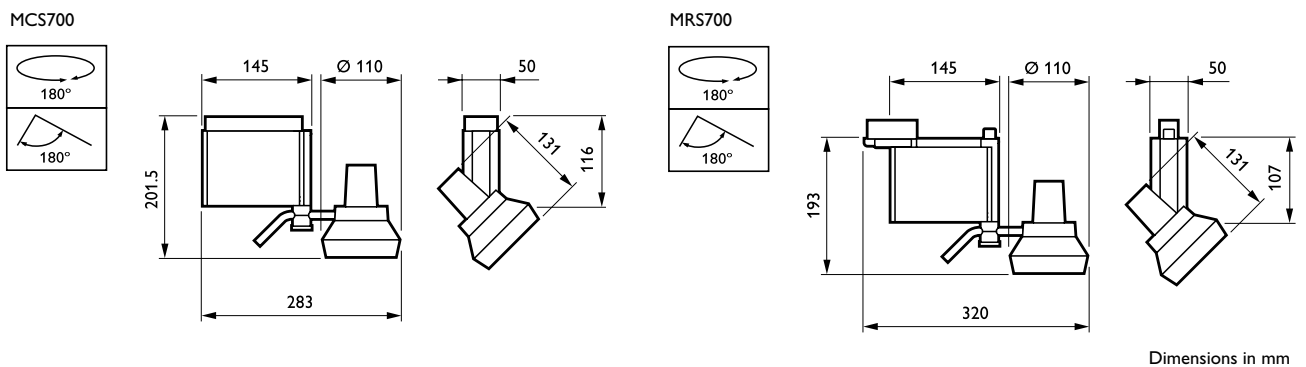
Preferred selection

Product ID	Weight (kg)
MCS705 1xCDM-Tm20W/830 K EB 24 BA WH	1.10
MCS705 1xCDM-Tm20W/830 K EB 36 BA WH	1.10
MRS705 1xCDM-Tm20W/830 K EB 24 3C WH	0.90
MRS705 1xCDM-Tm20W/830 K EB 36 3C WH	0.90

Please contact your local Philips representative for additional information

Fiorenza Mini

Type	MRS700 (3-circuit track HID lamp version) MCS700 (baseplate, HID lamp version)
Features	<ul style="list-style-type: none"> - Advanced electronic gear: miniaturised design for architectural integration - Constant high quality lighting effect & flicking-free - Energy saving - Separate gear box and lamp housing design: provide exceptional freedom in terms of architectural integration and interior design - Universal rotation system: position can be adjusted in two planes, making it perfect means of setting a scene - State-of-the-art lamp technology with professional optics: delivers powerful and appealing lighting effects
Light source	High intensity discharge: 1 x MASTERColour CDM-TC / 35, 70W
Lamp included	Yes (K, lamp colour 830)
Lamp position	Vertical
Gear	Electronic, 220 - 240V / 50 - 60Hz: Electronic ballast (EB)
Materials and finish	Die-casting aluminium housing & anodised aluminium reflector
Colour	Grey (GR), White (WH) RAL colours available on request
Installation	Mounting: direct on 3 universal 3-circuit track Euro-DIN tracks (3C) with universal adaptor or direct on ceiling with base plate (BA) Safety distance: 0.5m
Maintenance	Direct lamp access while removing front glass for CDM-TC lamp Lamp replacement via back part for CDM-R111 lamps
Optic	Narrow beam (12°) Medium beam (24° and 36°)
Accessory	Barn door; honeycomb, dichroic colour filters, sculptural glass, antiglare filter; UV filter and protection glass Colour filters: red, blue, yellow and green Accessories in combination with CDM-TC lamps
Classifications	IP 20, Class I
Main applications	Retail, museums



Fiorenza Mini



Fiorenza MRS700 projector for track and baseplate mounting, with MASTERColour lamp and medium beam optic

Preferred selection

Product ID	Weight (kg)
MRS700 1xCDM-TC35W K EB 24 3C GR	1.20
MRS700 1xCDM-TC35W K EB 36 3C GR	1.20
MRS700 1xCDM-TC70W K EB 24 3C GR	1.20
MRS700 1xCDM-TC70W K EB 36 3C GR	1.20

Please contact your local Philips representative for additional information



MRS/MCS700 projector for track and baseplate mounting, with MASTERColour lamp and medium beam optic

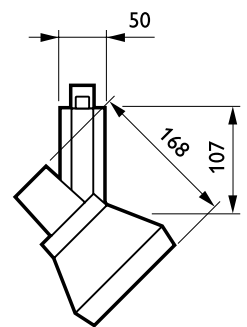
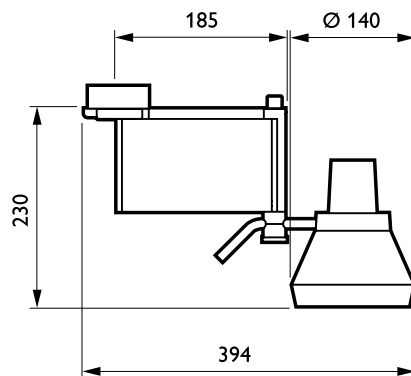
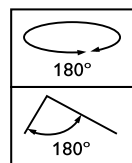
Preferred selection

Product ID	Weight (kg)
MCS700 1xCDM-TC70W K EB 24 BA WH	1.30
MCS700 1xCDM-TC70W K EB 36 BA WH	1.30
MRS700 1xCDM-TC35W K EB 24 3C WH	1.20
MRS700 1xCDM-TC35W K EB 36 3C WH	1.20
MRS700 1xCDM-TC70W K EB 24 3C WH	1.20
MRS700 1xCDM-TC70W K EB 36 3C WH	1.20

Please contact your local Philips representative for additional information

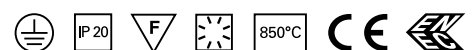
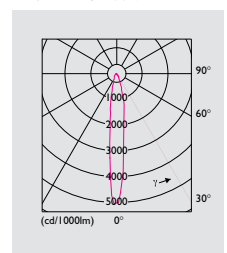
Fiorenza Medio

Type	MRS702 (3-circuit track) MCS702 (baseplate)
Features	<ul style="list-style-type: none"> - Advanced electronic gear: miniaturised design for architectural integration - Constant high quality lighting effect & flicking-free - Energy saving - Separate gear box and lamp housing design: provide exceptional freedom in terms of architectural integration and interior design - Universal rotation system: position can be adjusted in two planes, making it perfect means of setting a scene - State-of-the-art lamp technology with professional optics: delivers powerful and appealing lighting effects
Light source	High intensity discharge: 1 x MASTER SDW-TG Mini White SON/100W
Lamp included	Yes (K, lamp colour 830)
Lamp position	Vertical
Gear	Electronic, 220 - 240V / 50 - 60Hz: Electronic Ballast (EB)
Materials and finish	Die-casting aluminium housing & anodised aluminium reflector
Colour	Grey (GR), White (WH) RAL colours available on request
Installation	Mounting: direct on 3 universal 3-circuit track, Euro-DIN tracks (3C) with universal adaptor Safety distance: 0.5m
Maintenance	Direct lamp access for SDW-TG
Optic	Medium beam (24° and 36°)
Accessory	Barn door, honeycomb, dichroic colour filters, sculptural glass, antiglare filter; UV filter and protection glass Colour filters: red, blue, yellow and green Accessories in combination with CDM-TC lamps
Classifications	IP 20, Class I
Main applications	Retail, museums



Dimensions in mm

1 x SDW-TG 100 W 12°



Fiorenza Medio



Fiorenza MRS702 projector for track mounting, with MASTER lamp and medium-beam optic

Preferred selection

Product ID	Weight (kg)
MRS702 1xSDW-TG100W K EB 24 3C GR	2.0
MRS702 1xSDW-TG100W K EB 36 3C GR	2.0

Please contact your local Philips representative for additional information



Fiorenza MRS702 projector for track mounting, with MASTER lamp and medium-beam optic

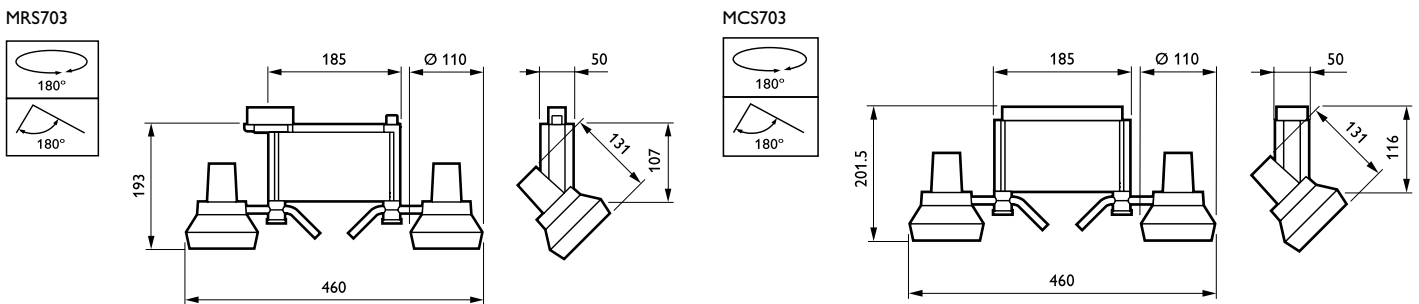
Preferred selection

Product ID	Weight (kg)
MRS702 1xSDW-TG100W K EB 24 3C WH	2.0
MRS702 1xSDW-TG100W K EB 36 3C WH	2.0

Please contact your local Philips representative for additional information

Fiorenza Twin

Type	MRS703 (3-circuit track, HID lamp version), MCS703 (baseplate, HID lamp version)
Features	<ul style="list-style-type: none"> - Advanced electronic gear: miniaturised design for architectural integration - Constant high quality lighting effect & flicking-free - Energy saving - Separate gear box and lamp housing design: provide exceptional freedom in terms of architectural integration and interior design - Universal rotation system: position can be adjusted in two planes, making it perfect means of setting a scene - State-of-the-art lamp technology with professional optics: delivers powerful and appealing lighting effects
Light source	High intensity discharge: 2 x MASTERColour CDM-TC / 35W
Lamp included	Yes (K, lamp colour 830)
Lamp position	Vertical
Gear	Electronic, 220 - 240V / 50 - 60Hz: Electronic (EB)
Materials and finish	Die-casting aluminium housing & anodised aluminium reflector
Colour	Grey (GR), White (WH) RAL colours available on request
Installation	Mounting: direct on 3 universal 3-circuit track Euro-DIN tracks (3C) with universal adaptor or direct on ceiling with base plate (BA) Safety distance: 0.5m
Maintenance	Direct lamp access or after removing the front ring
Optic	Narrow beam (12°) Medium beam (24° and 36°)
Accessory	Barn door, honeycomb, dichroic colour filters, sculptural glass, antiglare filter, UV filter and protection glass Colour filters: red, blue, yellow and green Accessories in combination with CDM-TC lamps
Classifications	IP 20, Class I
Main applications	Retail, museums



Dimensions in mm

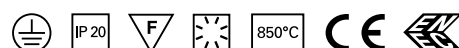


Preferred selection

Product ID	Weight (kg)
MCS703 2xCDM-TC35W K EB 24 BA WH	2.00
MRS703 2xCDM-TC35W K EB 12-36 3C WH	1.90

Please contact your local Philips representative for additional information

Fiorenza Twin MRS/MCS703 projector for track and baseplate mounting, with MASTERColour lamps and narrow or medium-beam optic



Fiorenza Accessories

Type	ZRS704, ZRS705
Description	Barn door; honeycomb, dichroic colour filters, sculptural glass, antiglare filter; UV filter and protection glass
Colour	Filters: red (RD), blue (BL), yellow (YE), green (GN) Barn door and honeycomb: black (BK)



Innovative conical barn doors to reduce direct glare and to focus the beam

Preferred selection

Product ID	Weight (kg)
ZRS704 BD BK BARN DOORS	0.200



Anti-glare filter

Preferred selection

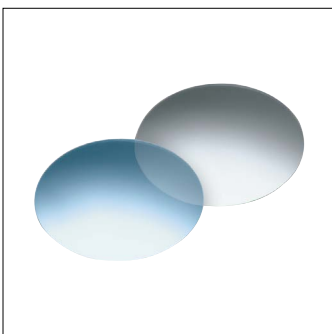
Product ID	Weight (kg)
ZRS704 GCG GLARE CONTROL GLASS	0.050



Glare shield for accent lighting with extra low luminance: <math>< 200 \text{ cd/m}^2</math> for 60°

Preferred selection

Product ID	Weight (kg)
ZRS704 HC BK HONEYCOMB LOUVRE	0.100

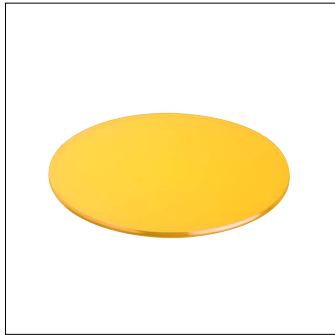


Protective glass and UV filter

Preferred selection

Product ID	Weight (kg)
ZRS704 PG PROTECTION GLASS	0.050
ZRS704 UV FILTER	0.050

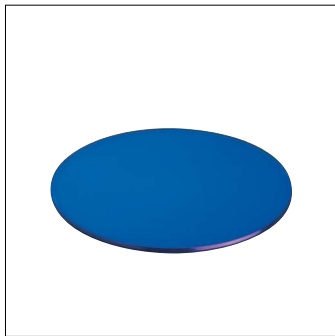
Fiorenza Accessories



Dichroic filters colour the beam yellow

Preferred selection

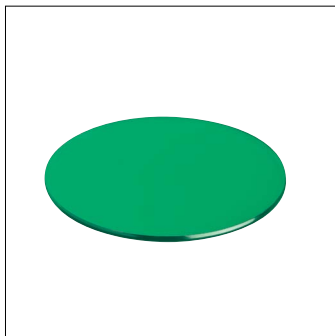
Product ID	Weight (kg)
ZRS704 DF115-YE DICHOIC FILTER	0.050
ZRS705 DF69-YE DICHOIC FILTER	0.037



Dichroic filters colour the beam blue

Preferred selection

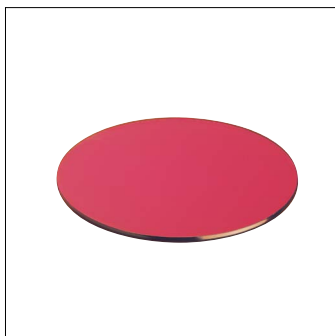
Product ID	Weight (kg)
ZRS704 DF115-BL DICHOIC FILTER	0.050
ZRS705 DF69-BL DICHOIC FILTER	0.037



Dichroic filters colour the beam green

Preferred selection

Product ID	Weight (kg)
ZRS704 DF115-GN DICHOIC FILTER	0.050
ZRS705 DF69-GN DICHOIC FILTER	0.037



Dichroic filters colour the beam red

Preferred selection

Product ID	Weight (kg)
ZRS704 DF115-RD DICHOIC FILTER	0.050
ZRS705 DF69-RD DICHOIC FILTER	0.037